

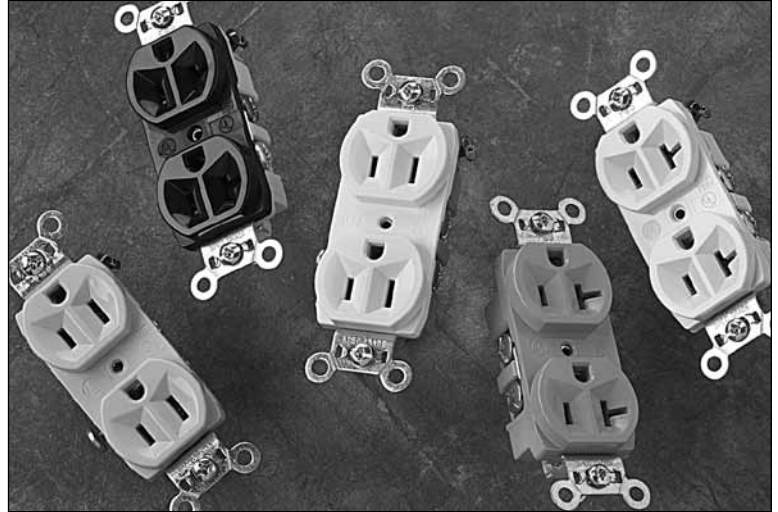


PASS & SEYMOUR® Commercial Specification Grade Straight Blade Receptacles 15 & 20A, 125V

CR15, **CR20**

The standard for commercial receptacles

Plated, corrosion-resistant straps, rugged nylon faces, and triple-wipe power contacts mean these receptacles will ensure consistent performance. Tri-drive, backed-out terminal screws save installation time.



FEATURES & BENEFITS

.032 inch thick, brass, triple-wipe power contacts for lasting retention.

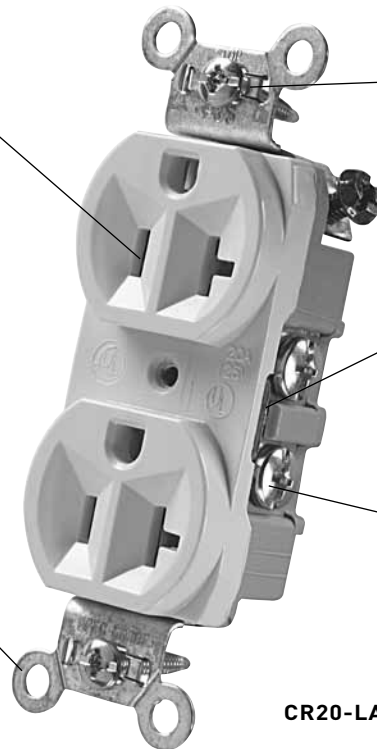
Two drive screws anchor strap to back body and face where abrupt removal torque is strongest.

Corrosion-resistant, plated steel strap locked in to face and back body to resist pulling away from face/body assembly.

Auto-ground eliminates the necessity to terminate grounding conductor to device.

Easily accessed break-off, line-contact connecting tab for fast, easy split-circuit wiring.

Tri-drive steel terminal screws. Side wire capability.



CR20-LA

FIELD USES/VERTICAL MARKETS

- Retail
- Office
- Hospitality/Lodging
- Multiple Dwelling



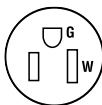
PASS & SEYMOUR®

Commercial Specification Grade

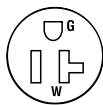
Straight Blade Receptacles 15 & 20A, 125V

ORDERING INFORMATION

Catalog Number	Rating A	V	Color	NEMA Configuration No.
Duplex Receptacles Side Wire				
CR15-I	15	125	Ivory	5-15R
CR15-W	15	125	White	5-15R
CR15	15	125	Brown	5-15R
CR15-GRY	15	125	Gray	5-15R
CR15-LA	15	125	Light Almond	5-15R
CR20-I	20	125	Ivory	5-20R
CR20-W	20	125	White	5-20R
CR20	20	125	Brown	5-20R
CR20-GRY	20	125	Gray	5-20R
CR20-BK	20	125	Black	5-20R
CR20-LA	20	125	Light Almond	5-20R



NEMA
5-15R



NEMA
5-20R

For more information on these and other P&S products refer to our Catalog or visit our web site.

PASS & SEYMOUR®

Commercial Specification Grade Straight Blade Receptacles 15 & 20A, 125V



TECHNICAL SPECIFICATIONS

3rd Party Compliance

UL Listed, File Number E140596, Standard UL498.
CSA Certified, File Number LR16063, Standard CSA-C22.2 No. 42.

Performance

Electrical

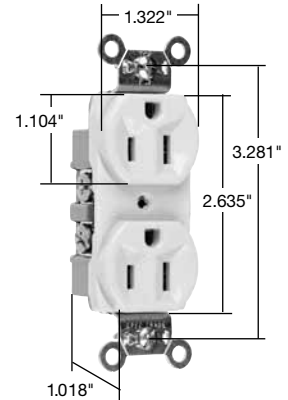
Dielectric Voltage	Withstands 1500V minimum
Maximum Working Voltage	125V
Maximum Continuous Current	15A – CR15; 20A – CR20
Temperature Rise	Maximum 30°C after 50 cycles at 150% of rated current

Mechanical

Terminal Accommodation	#14 AWG - #10 AWG
Product Identification	Amperage, Voltage, 3rd Party Compliance.

Environmental

Flammability	UL94 V2
Operating Temperature	Maximum continuous +50°C, minimum -40°C without impact



**Dimensions for
15 & 20 Amp**

Materials

Face	Nylon	Terminal Screws	#8 Tri-Drive Steel (Neutral = Nickel Plated Steel)
Back Body	PVC	Ground Screws	#8 Hex Tri-Drive Steel
Line Contacts	.032 260 Brass	Assembly Drive Screw	Zinc-Plated Steel
Mounting Strap	.042 Zinc-Plated Steel	Auto-Ground Clip	Stainless Steel
Ground Contact	.040 260 Brass	Mounting Screws	Tri-Drive Steel

Warranty

1 Year

For more information on these and other P&S products refer to our Catalog or visit our web site.

SF304R1 — March 2014 — For latest specs visit www.legrand.us/passandseymour

ALSO AVAILABLE...

- GFCIs
- Hospital Grade Devices
- PlugTail™ Devices
- SPD & Isolated Ground Devices
- Ground Continuity Monitoring (GCM)
- Straight Blade Plugs & Connectors
- USB Charging Devices
- Turnlok® Locking Devices
- Weatherproof Boxes & Covers
- PlugTail™ Devices
- IEC 309 Industrial Products
- Flexcor® Wire Mesh Grips
- Wall Plates



Electrical Wiring Systems

P.O. Box 4822
Syracuse, NY 13221-4822
Phone: 1.800.776.4035
www.legrand.us/passandseymour

570 Applewood Crescent
Vaughan, Ontario L4K 4B4
Phone: 905.738.9195
www.legrand.ca

